



Nijverheidsweg 31C, 1850 NW HEILOO  
P.O. Box 98, 1850 AB HEILOO  
The Netherlands  
Tel: +31-(0)72-5337171  
Fax: +31-(0)72-5320010  
Web: [www.sti-its.nl](http://www.sti-its.nl)  
Eml: [info@sti-its.nl](mailto:info@sti-its.nl)

INDUSTRIAL TECHNICAL SUPPLIES

## SCHÜTTE DOUBLE FLAP GATE TYPE DFG





Nijverheidsweg 31C, 1850 NW HEILOO  
P.O. Box 98, 1850 AB HEILOO  
The Netherlands  
Tel: +31-(0)72-5337171  
Fax: +31-(0)72-5320010  
Web: www.sti-its.nl  
Eml: info@sti-its.nl

INDUSTRIAL TECHNICAL SUPPLIES

# SCHÜTTE DOUBLE FLAP GATE TYPE DFG

## GENERAL

### Technical data

- Nominal sizes: - 200 x 200
  - 250 x 250
  - 300 x 300
- Flange sizes: - SchütteStandard
- Operation: - pneumatical
  - hydraulic
  - electromotive
  - option
    - automatic motion including linear positioner
    - Explosion proof
- Temperature: - -20°C up to +200°C
- Pressure test: - - body and seat as per DIN 3230-3-Group B, leakage rate 2
  - pressure tight up to 1 bar g on request

### Available materials:

- Body: - CI 25 / GS-C25 (GH 240 GP)
  - Special materials on request
- Seat and flapper: - made out of Ni hard 1
- Sealing: - metallic
  - metallic / soft seated

# SCHÜTTE DOUBLE FLAP GATE TYPE DFG

## GENERAL

### Properties

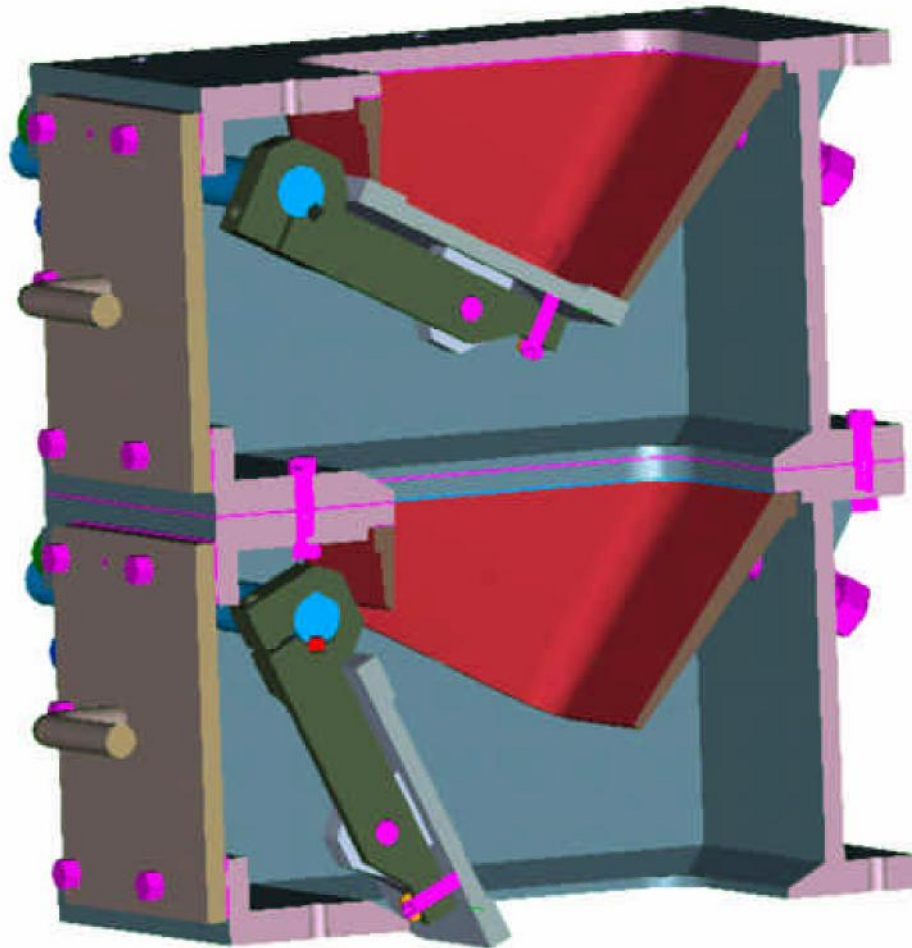
- Usage: - for safe and reliable and continuous discharge in and out of Areas with differential pressure rates
- Bulk material: - dry and free flowable bulk solids, powder, granulate,
- features: - less height version – replaceable for rotary valves
  - gas tight to the atmosphere, material tight seat, pressure tight Seat on request
  - in built control of the technical status possible
  - in built change of spare parts possible because of Large maintenance opening
  - seat and flapper in a wearless resistant execution for abrasive solids
  - long lasting service life because of robust design

### Throughput rate

Type	Size		
	200x200	250x250	300x300
	Throughput rate in l/h		
DFG-SH	550	830	1730
DFG-FH	1500	2460	4950

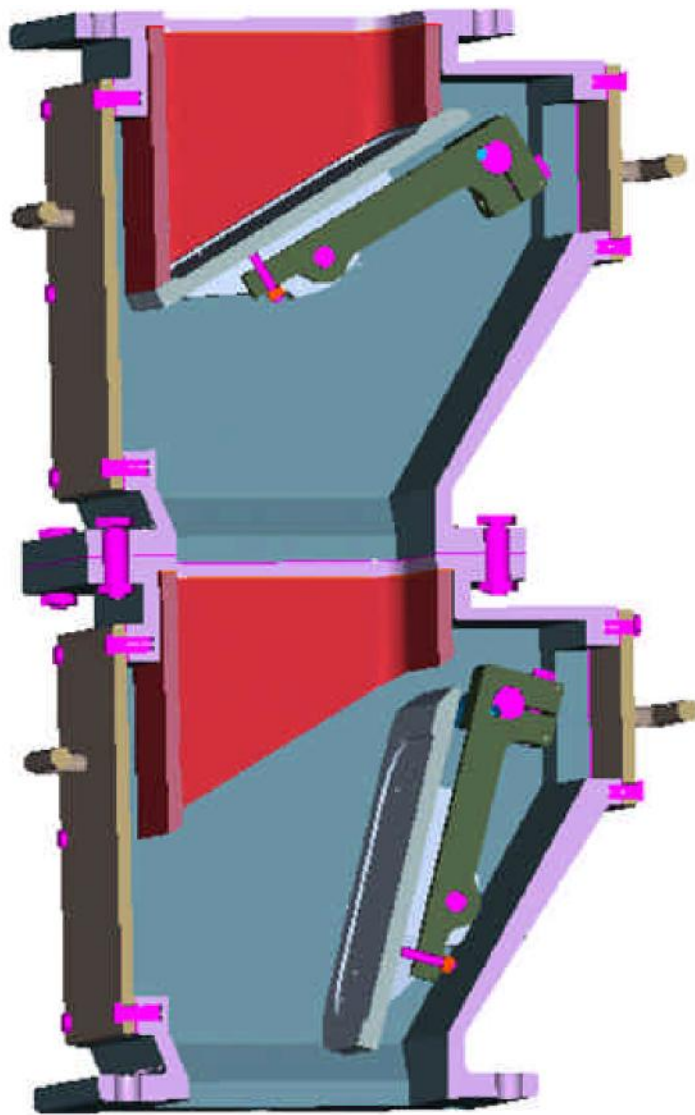
# SCHÜTTE DOUBLE FLAP GATE TYPE DFG

## SECTION DRWAING TYPE DFG SH



# SCHÜTTE DOUBLE FLAP GATE TYPE DFG

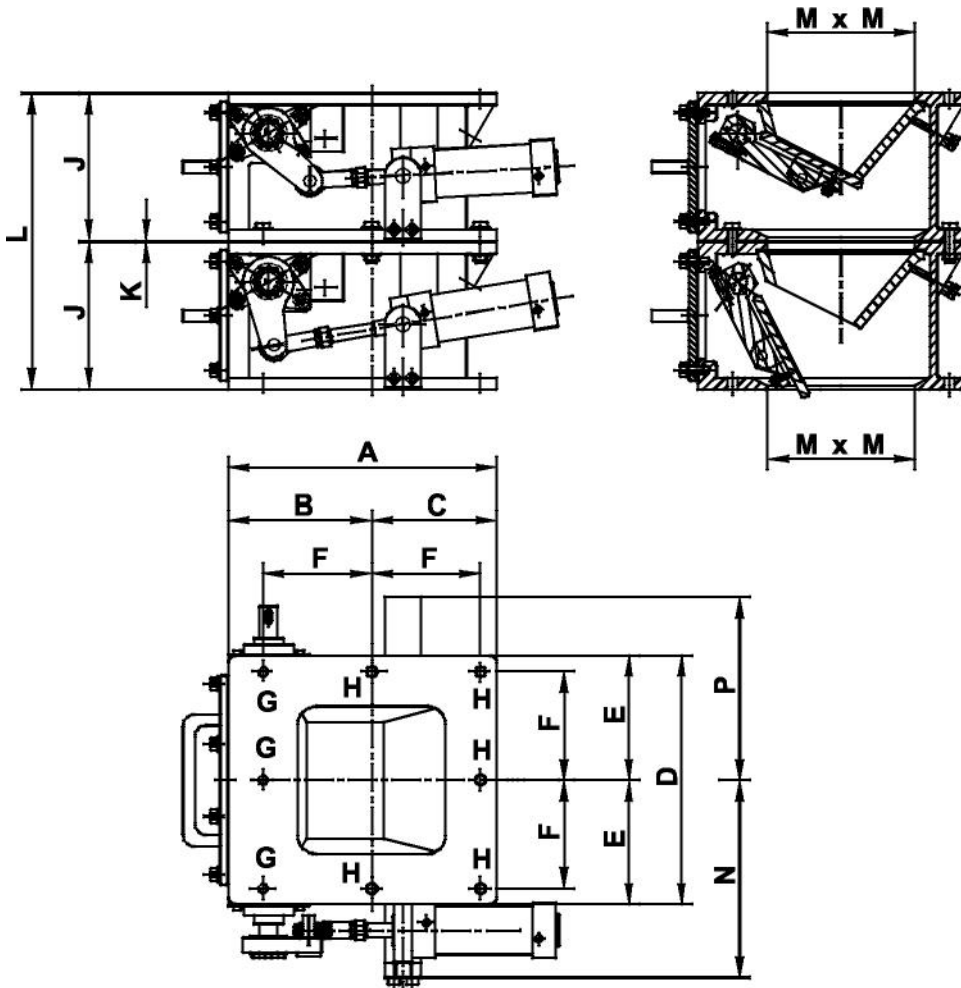
SECTION DRAWING TYPE DFG FH



# SCHÜTTE DOUBLE FLAP GATE TYPE DFG

## DATA SHEET

VERSION: DFG-SH Electropneumatically operated

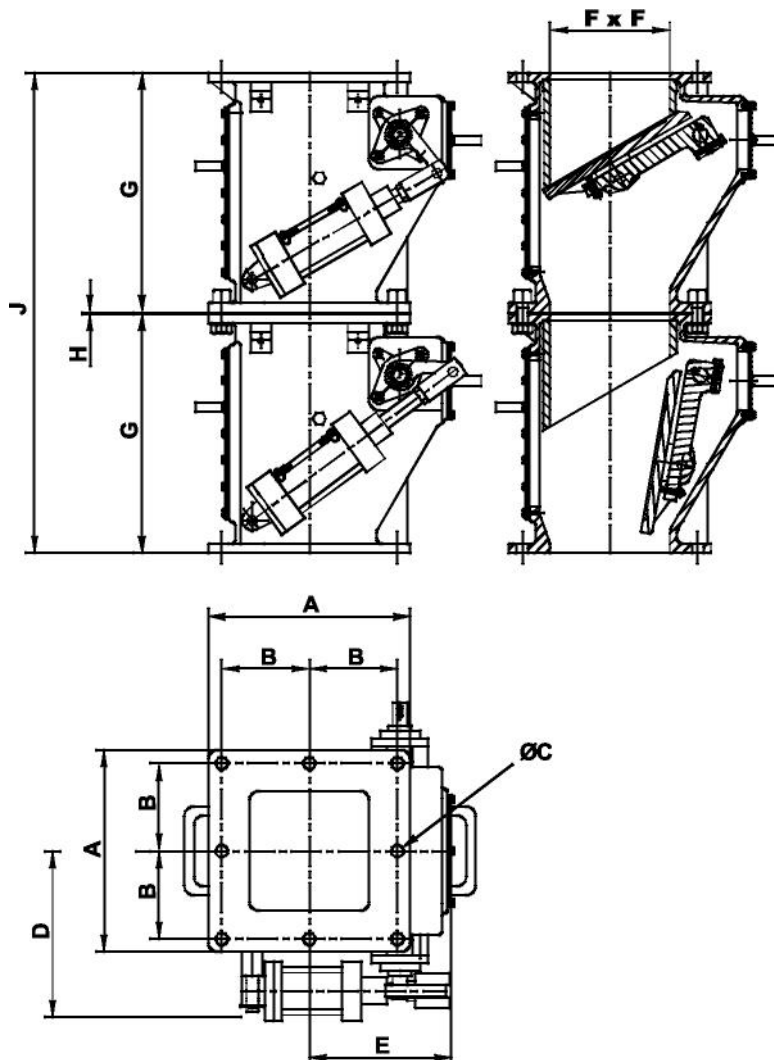


Model	A	B	C	D	E	F	G	H	J	K	L	M	N	P
200	369	197	172	344	172	149,3	M12	∅ 14	203	1,5	407,5	203	284	264
250	444	241	203	406	203	181,1	M12	∅ 14	254	1,5	509,5	254	318	298
300	521	267	254	508	254	225,6	M12	∅ 14	305	1,5	611,5	305	330	310

# SCHÜTTE DOUBLE FLAP GATE TYPE DFG

## DATA SHEET

VERSION: DFG-FH Electropneumatically operated

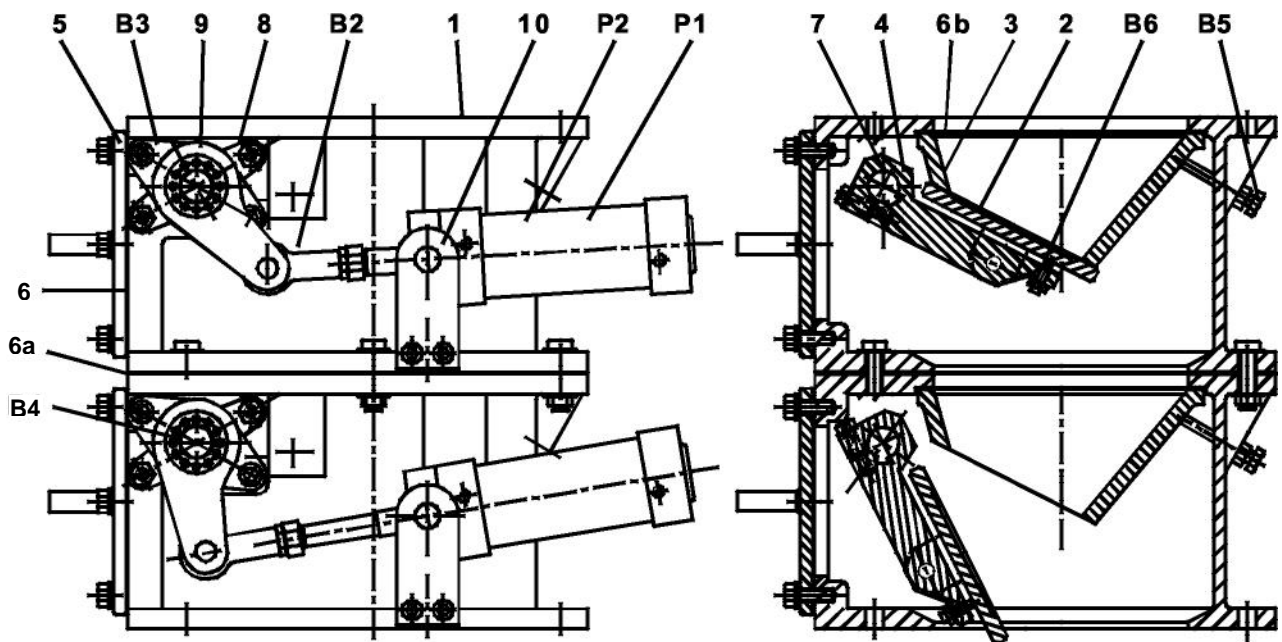


Model	A	B	C	D	E	F	G	H	J
200	343	149	∅ 22	275	259	203	407	1,5	815,5
250	406	180,9	∅ 22	313	307	254	457	1,5	915,5
300	508	225,3	∅ 22	353	326	300	559	1,5	1119,5

# SCHÜTTE DOUBLE FLAP GATE TYPE DFG

## SPARE PARTS

VERSION: DFG-SH  
Electropneumatically operated



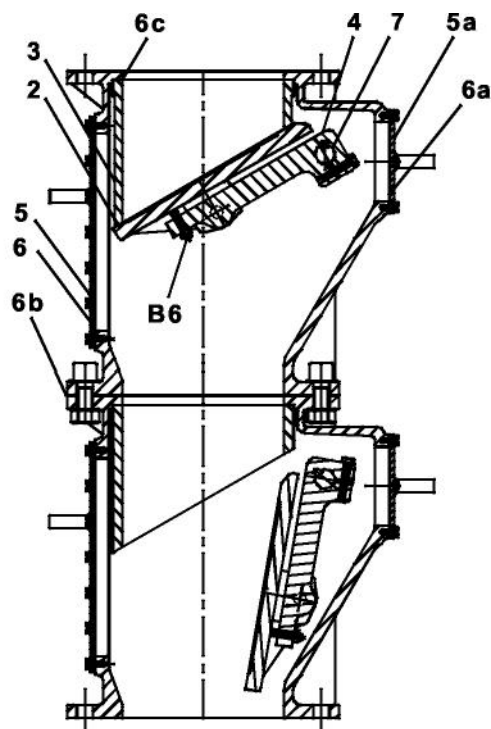
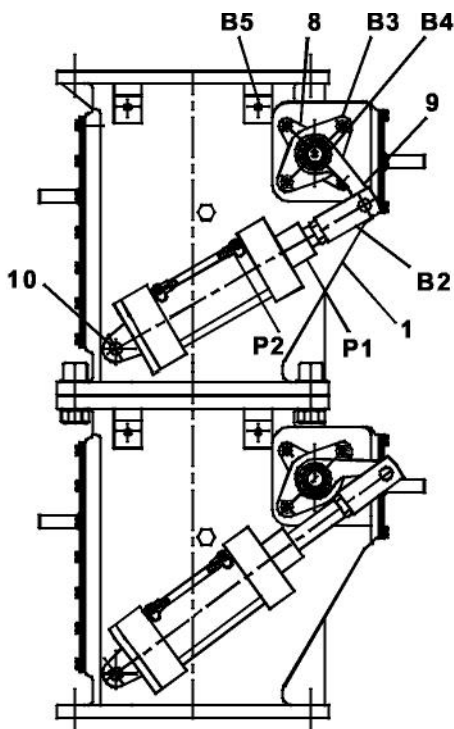
Part	Description
1	Housing
2	Flapper
3	Seat
4	Arm
5	Cover
6	Gasket
6a	Gasket
6b	Gasket
7	Shaft
8	Stuffing plate

	Description
9	Link
10	Adapter
P1	Cylinder
P2	Sensor (optional)
B1	Stuffing seal
B2	Fork
B3	Bearing housing
B4	Coupling
B5	Set screw for seat
B6	Set screw for flapper

# SCHÜTTE DOUBLE FLAP GATE TYPE DFG

## SPARE PARTS

VERSION: DFG-FH  
Electropneumatically operated



Part	Description
1	Housing
2	Flapper
3	Seat
4	Arm
5	Cover
5a	Cover
6	Gasket
6a	Gasket
6b	Gasket
6c	Gasket
7	Shaft

	Description
8	Stuffing plate
9	Link
10	Adapter
P1	Cylinder
P2	Sensor (optional)
B1	Stuffing seal
B2	Fork
B3	Bearing housing
B4	Coupling
B5	Set screw for seat
B6	Set screw for flapper